

SERIES 2060 and 2070 DARLINGTON SWITCHES

These devices are designed for a broad area of interface applications between low level/low current logic systems and high current loads such as relays, solenoids, motors, heaters, incandescent lamps, LED arrays, etc.

The ULN-2061M, ULN-2062M, ULN-2064B, ULN-2065B, and ULN-2067B are open collector versions for high current sinking applications. Each device has built-in suppression diodes for clamping inductive loads. Sustaining voltages to 50 volts (Type ULN-2061M, ULN-2064B, and ULN-2066B) or 80 volts (Type ULN-2062M, ULN-2065B, and ULN-2067B).

The ULN-2068B, ULN-2069B, ULN-2070B, and ULN-2071B consist of 4 common emitter, open collector Darlington switches. Each switch has a built-in suppression diode and is designed to operate with input currents less than 100 μ A. The ULN-2068B and ULN-2069B operate at a V_{CC} voltage of +5 V; the ULN-2070B and ULN-2071B at +6 V to +15 V. Sustaining voltage is 50 V (ULN-2068B and ULN-2070B) or 80 V (ULN-2069B and ULN-2071B).

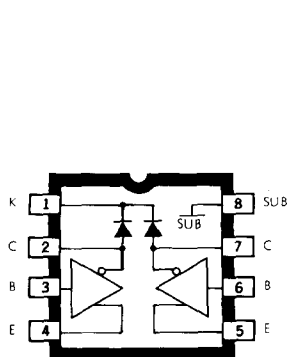
The ULN-2074B, ULN-2075B, ULN-2076B, and ULN-2077B each consist of 4 isolated Darlington switches and are suitable for common collector, emitter-follower applications. Sustaining voltages of 50 V (ULN-2074B and ULN-2076B) or 80 V (ULN-2075B and ULN-2077B).

FEATURES

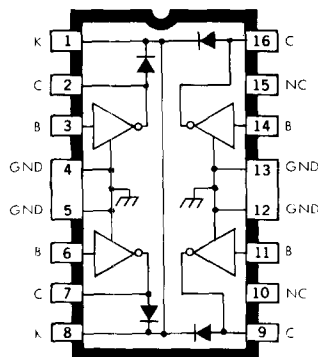
- 1.5 A Output Current (each switch)
- Package Power Dissipation to 2 W
- High Current Gains: 800 min. (each switch)
- Plastic Package (16-pin) Dual In-line B and Plastic (8-pin) Dual In-Line M

DEVICE SELECTION GUIDE

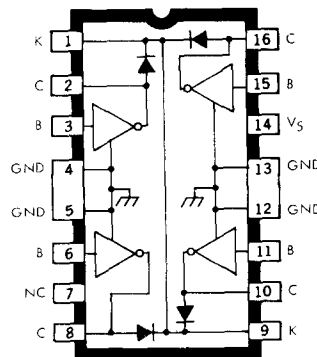
Device Type	Drivers Per Package	Sustaining Voltage	Interface Compatibility
ULN-2061M	2	50	TTL, DTL
ULN-2062M	2	80	TTL, DTL
ULN-2064B	4	50	TTL, DTL
ULN-2065B	4	80	TTL, DTL
ULN-2066B	4	50	MOS
ULN-2067B	4	80	MOS
ULN-2068B	4	50	TTL, DTL (Hi Gain)
ULN-2069B	4	80	TTL, DTL (Hi Gain)
ULN-2070B	4	50	MOS (Hi Gain)
ULN-2071B	4	80	MOS (Hi Gain)
ULN-2074B	4	50	TTL, DTL
ULN-2075B	4	80	TTL, DTL
ULN-2076B	4	50	MOS
ULN-2077B	4	80	MOS



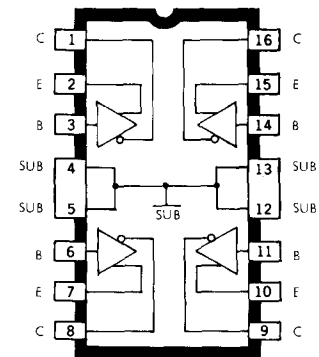
ULN-2061M
ULN-2062M



ULN-2064B
ULN-2065B
ULN-2066B
ULN-2067B



ULN-2068B
ULN-2069B
ULN-2070B
ULN-2071B



ULN-2074B
ULN-2075B
ULN-2076B
ULN-2077B